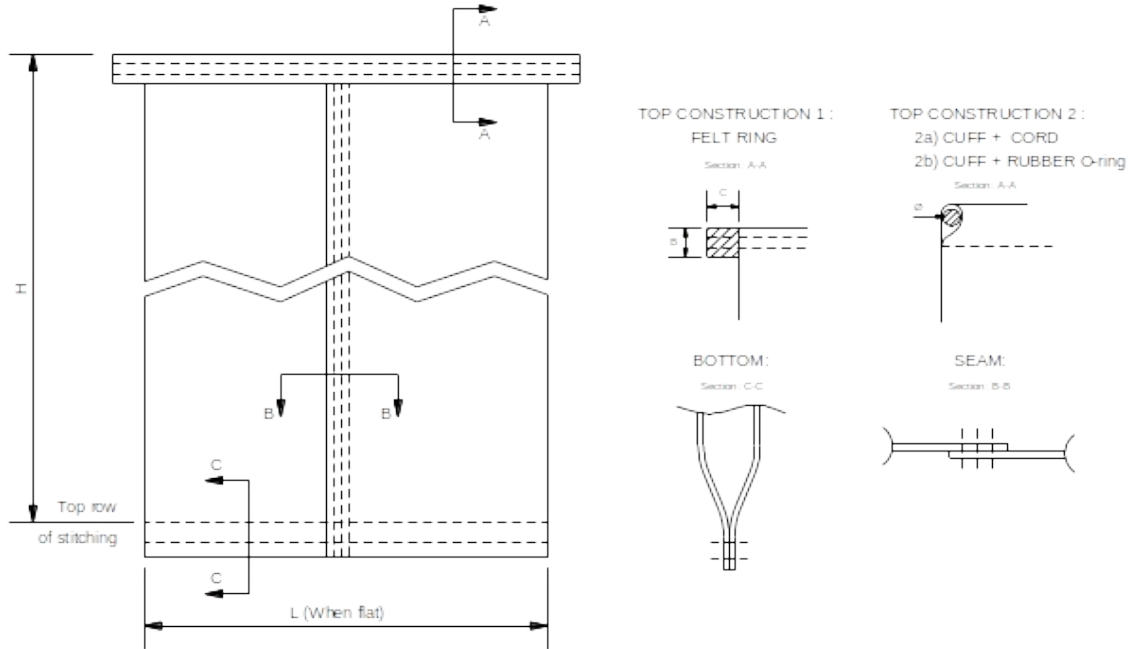


Envelope Bag Selection

Customer:		Country:	
City:		Original Unit Brand:	
Contact person:		Unit Type:	
Phone:		Application:	
E-mail:		Number of bags:	



Specifications

Top construction	
Media	

General dimensions

H		mm	Height filter bag
L		mm	Flat width filter bag

Dimensions top construction

B		mm	Height felt ring
C		mm	Width felt ring
Ø		mm	Diameter cord
		mm	Diameter rubber O-ring

Quantity:

Remarks:	
-----------------	--